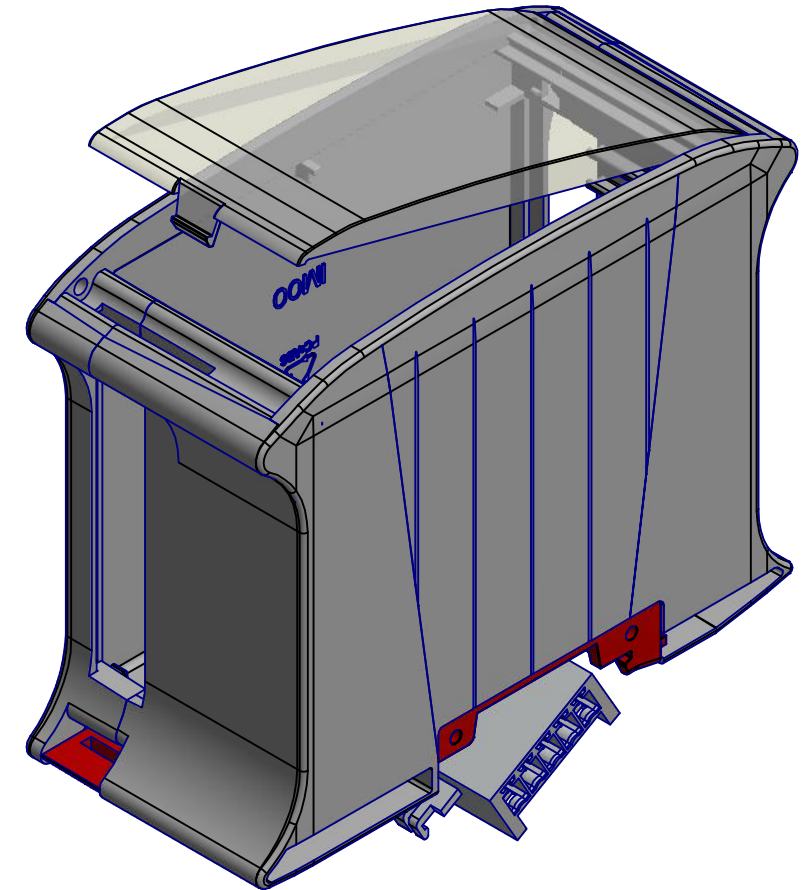
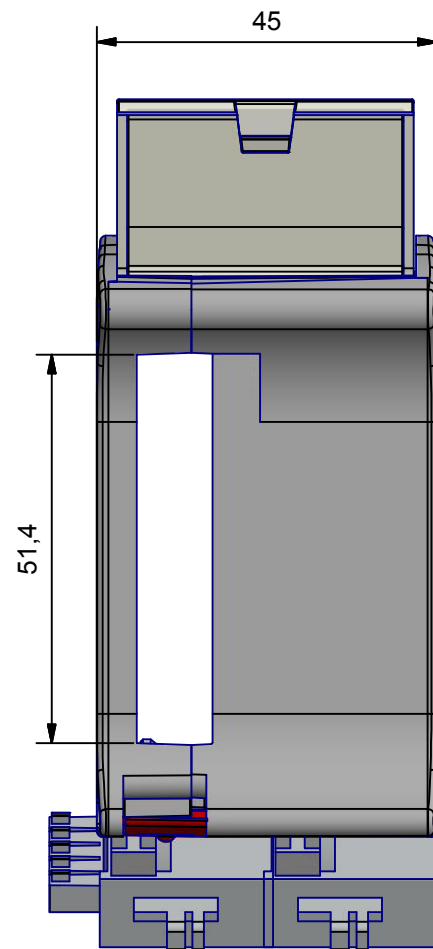
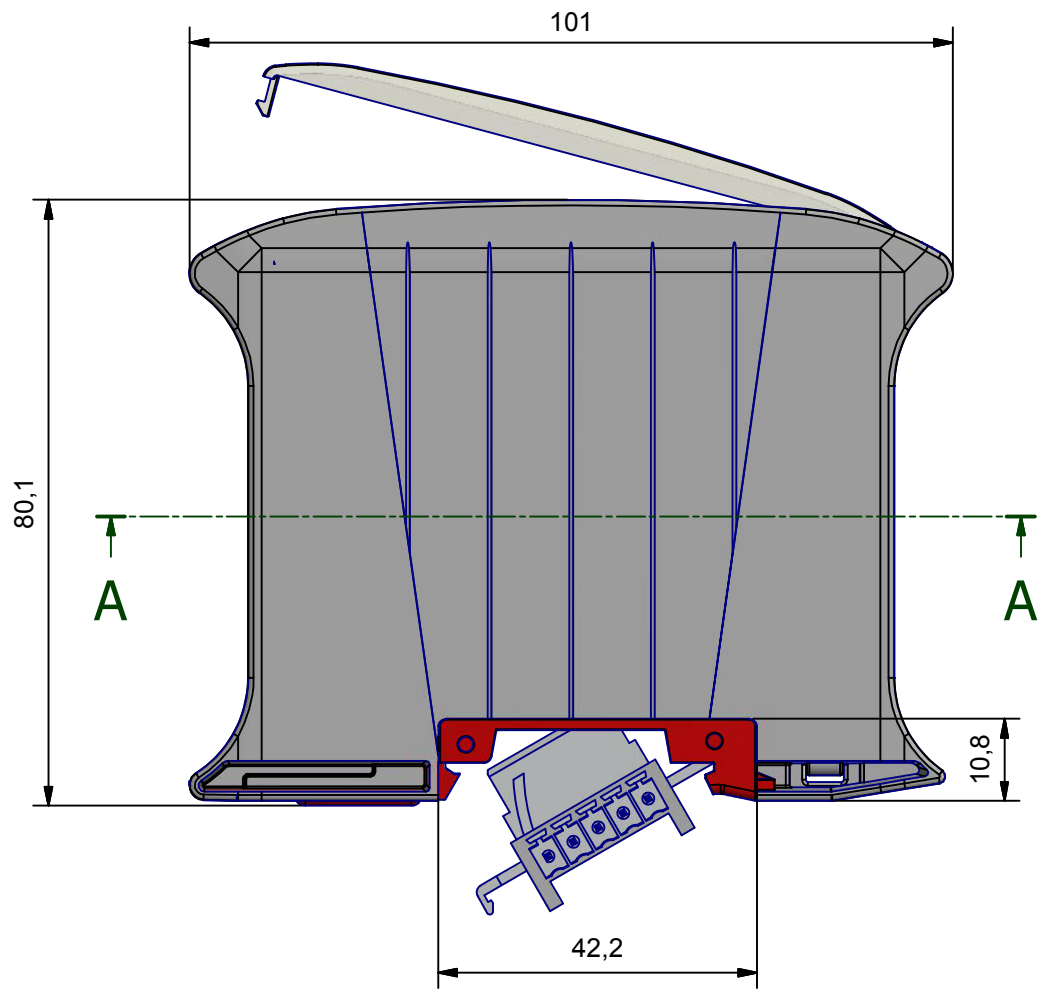
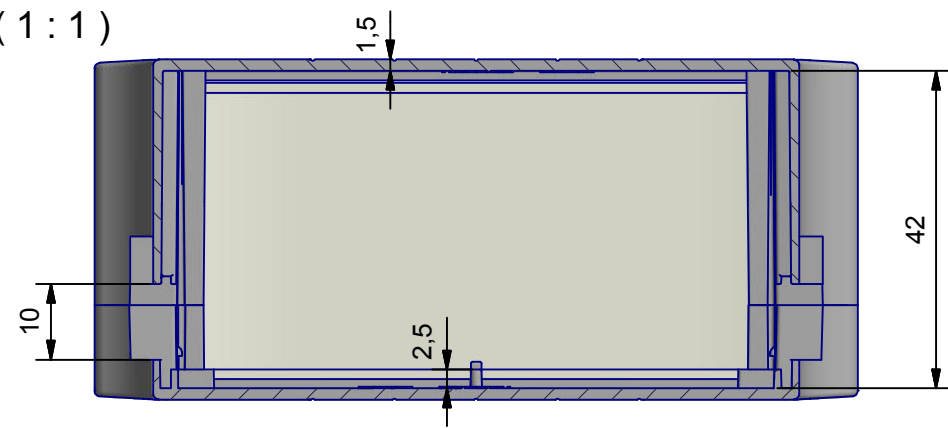


A-A (1:1)



COMPONENTS LIST				
RIF.	Q.TY	DESCRIPTION	CODE	
1	1	MOLLA - SPRING	P10000000M	
2	1	SPORTELLINO FRONTALE TRASPARENTE 39mm - 39mm FRONT HINGED TRANSPARENT	R-02890	
3	1	BASE RAILBOX COMPACT BUS	R-04327	
4	1	COPERCHIO RAILBOX COMPACT 32.5mm BUS - COVER RAILBOX COMPACT 32.5mm BUS	R-04335	
5	1	ACCESSORIO BUS 45 mm - ACCESSORY BUS 45 mm	R-03243	
6	2	CONNETTORI T-BUS 22.5mm - CONNECTORS T-BUS 22.5mm	R-03013	
7	1	AGGANCIO RAILBOX BUS - HOOK RAILBOX BUS	R-02883	
Da 0,5 a 3		Oltre 3 fino a 6	Oltre 6 fino a 30	Oltre 30 fino a 120
± 0,1		± 0,1	± 0,2	± 0,3
± 0,1		± 0,1	± 0,2	± 0,3
± 0,1		± 0,1	± 0,2	± 0,3
± 0,1		± 0,1	± 0,2	± 0,3

RESERVED PROPERTY The present drawing cannot be reproduced or communicated to 3d parties, even partially, without the authorization of ITALTRONIC Srl. Italtronic reserves to protect its own rights according to the law.	Dimension in mm	SHEET NR. 1 / 1	DRAWING BY Manual modification are not allowed	GENERAL TOLERANCE UNI EN 22768/1 Media (m)	5	4	3	2	1
					Date: 09/04/2013	Replace nr.	Revision description		

 UN PARTNER PER IL FUTURO PLASTIC+ Group Italtronic	Denomination: Contenitore completo Railbox Compact 45 mm BUS Complete enclosure Railbox Compact 45 mm BUS
	Drawing nr. R-04545-00

