

B TYPE

Recommended P.C.B Layout

MATERIAL

Contact Pin : Brass

Insulator : NY6T UL94-V0

SPECIFICATION

Current Rate : 3 AMP

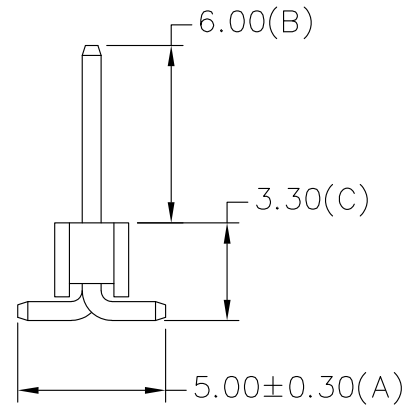
Insulation Resistance : 5000MΩMin. at DC 500V

Contact Resistance : 20mΩMax. at DC 100mA

Dielectric Voltage : AC 500V for one minute

Operation Temperature : -40°C to + 105°C

212-9 1- xx G B 11
 1 2 3 4 5 6



- 1. 7: Green Product
- 9: Green Product High Temp
- 2. 1: Single row
- 2: Dual rows
- 3. No. of contacts per row
- 4. G: Gold flash
- S: Selective
- T: Tin plated
- 5. B: Black Insulator
- 6. Pinrex internal code.

| POLES | DIM D | DIM E | POLES | DIM D | DIM E |
|-------|-------|-------|-------|-------|--------|
| 2 | 2.54 | 4.83 | 22 | 53.34 | 55.63 |
| 3 | 5.08 | 7.37 | 23 | 55.88 | 58.17 |
| 4 | 7.62 | 9.91 | 24 | 58.42 | 60.71 |
| 5 | 10.16 | 12.45 | 25 | 60.96 | 63.25 |
| 6 | 12.70 | 14.99 | 26 | 63.50 | 65.79 |
| 7 | 15.24 | 17.53 | 27 | 66.04 | 68.33 |
| 8 | 17.78 | 20.07 | 28 | 68.58 | 70.87 |
| 9 | 20.32 | 22.61 | 29 | 71.12 | 73.41 |
| 10 | 22.86 | 25.15 | 30 | 73.66 | 75.95 |
| 11 | 25.40 | 27.69 | 31 | 76.20 | 78.49 |
| 12 | 27.94 | 30.23 | 32 | 78.74 | 81.03 |
| 13 | 30.48 | 32.77 | 33 | 81.28 | 83.57 |
| 14 | 33.02 | 35.31 | 34 | 83.82 | 86.11 |
| 15 | 35.56 | 37.85 | 35 | 86.36 | 88.65 |
| 16 | 38.10 | 40.39 | 36 | 88.90 | 91.19 |
| 17 | 40.64 | 42.93 | 37 | 91.44 | 93.73 |
| 18 | 43.18 | 45.47 | 38 | 93.98 | 96.27 |
| 19 | 45.72 | 48.01 | 39 | 96.52 | 98.81 |
| 20 | 48.26 | 50.55 | 40 | 99.06 | 101.60 |



| | | | | | | | | | | | |
|------------------|--|------------|--|--------------|--|------------|--|--------------|--|---------------------------------------|--|
| | | | | TOLERANCE | | UNITS : mm | | OLD PART NO. | | TITLE | |
| | | | | .0 = ±.30 | | | | DRAWER 罗苗苗 | | PIN HEADER 2.54*2.54mm | |
| | | | | .00 = ±.20 | | | | CHECK 李剑 | | SMT S/T TYPE, SINGLE ROW | |
| | | | | .000 = ±.XXX | | | | APP'D 李剑 | | NEW PART NO. 212-91-xxGB11 | |
| A RELEASE | | 2023/01/17 | | .0000 = ±. | | SCALE NONE | | SHEET 1 OF 1 | | DRAW NO. 212-91-xxGB11 | |
| REV. DESCRIPTION | | DATE | | ANG. = ±3' | | SIZE A4 | | REV. A | | 頻銳科技股份有限公司 PINREX TECHNOLOGY CORP. | |