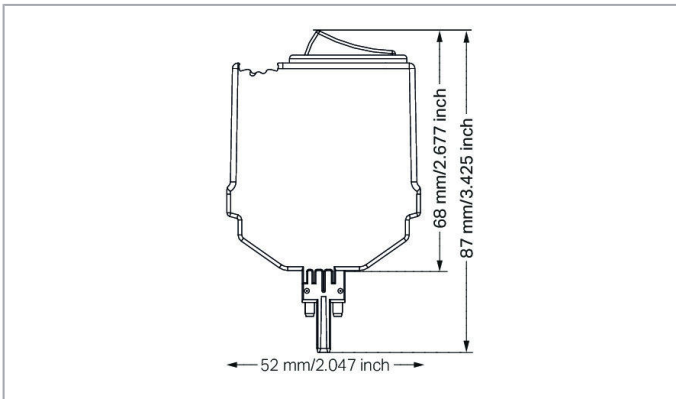
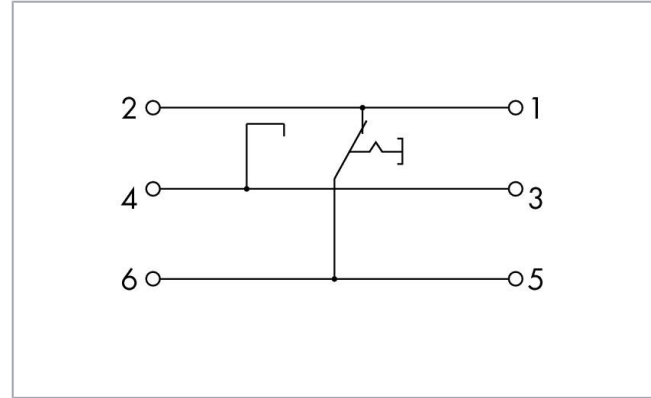
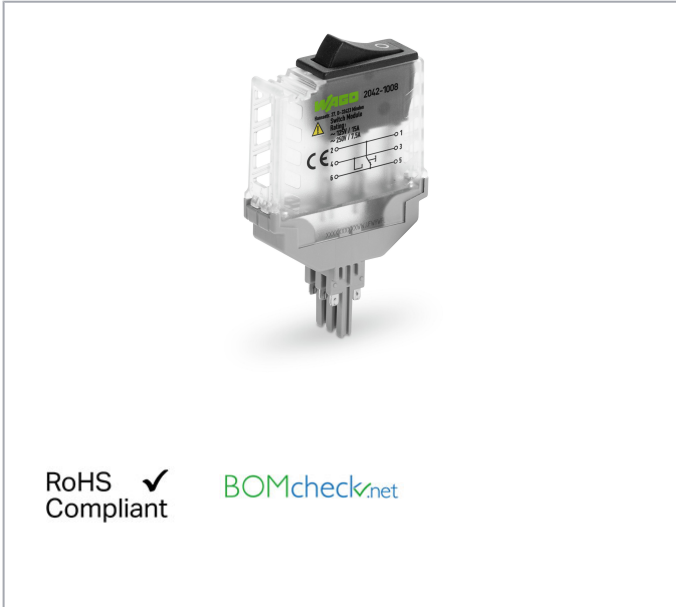


Data sheet | Item number: 2042-1008

Switching module; with changeover rocker switch; Switching voltage: 250 VAC; translucent



www.wago.com/2042-1008



Data

Electrical data

| | |
|---------------------------------------------|-----------------------------------------------------|
| Switching current (resistive) (max.) | 10 A |
| Inrush current (max.) | 128 A |
| Switching voltage (max.) | AC 250 V |
| Contact resistance | $\leq 20 \text{ m}\Omega$ |
| Insulation resistance | $\geq 100 \text{ M}\Omega$ (500 VDC; New condition) |
| Electrical life (NO; resistive load; 23 °C) | |

Subject to changes. Please also observe the further product documentation!

WAGO Kontakttechnik GmbH & Co. KG
Hansastr. 27
32423 Minden
Phone: +49571 887-0 | Fax: +49571 887-169
Email: info.de@wago.com | Web: www.wago.com

Do you have any questions about our products?
We are always happy to take your call at +49 (571) 887-44222.

10 x 10³ switching operations; UL: 6 x 10³ switching operations

Safety and protection

| | |
|-----------------------------------------------|-----------------------|
| Rated voltage | 250 V |
| Pollution degree | 2 |
| Overvoltage category | II |
| Dielectric strength, open contact (AC, 1 min) | 1.5 kV _{rms} |
| Protection type | IP20 |

Physical data

| | |
|-------------------------|---------------------|
| Width | 15.5 mm / 0.61 inch |
| Height | 87 mm / 3.425 inch |
| Height from the surface | 68 mm / 2.677 inch |
| Depth | 52 mm / 2.047 inch |

Mechanical data

| | |
|---------------|-------------------------------------------------------|
| Mounting type | Pluggable module for TOPJOB® S Carrier Terminal Block |
|---------------|-------------------------------------------------------|

Material data

| | |
|-----------------------------|-------------|
| Color | translucent |
| Flammability class per UL94 | V0 |
| Fire load | 0.358 MJ |
| Weight | 78.4 g |

Environmental requirements

| | |
|------------------------------------------------------------|---------------|
| Surrounding air temperature (operation at U _N) | -25 ... 70 °C |
| Surrounding air temperature (storage) | -40 ... 85 °C |
| Operating altitude (max.) | 2000 m |

Standards and specifications

| | |
|--------------------------|------------------------------------|
| Standards/Specifications | EN 61010-2-201; EN 50155; EN 61373 |
|--------------------------|------------------------------------|

Commercial data


| | |
|----------------|-----|
| Packaging type | bag |
|----------------|-----|

Subject to changes. Please also observe the further product documentation!

| | |
|-----------------------|---------------|
| Country of origin | DE |
| GTIN | 4055143772075 |
| Customs tariff number | 85365080900 |

Approvals / Certificates

UL-Approvals

| Logo | Approval | Additional Approval Text | Certificate name |
|----------------------------------------------------------------------------------|------------------------------------------------------------------|--------------------------|------------------|
|  | UL Underwriters Laboratories Inc. (ORDINARY LOCATIONS) | UL 61010-1 | E175199 |

Downloads

Documentation

Bid Text

| | | | |
|---------------------------|-------------|-----------------|----------|
| 2042-1008 X81 - Datei | 19. 2. 2019 | xml 3.8 kB | Download |
| 2042-1008 docx - Datei | 9. 1. 2019 | docx 15.2 kB | Download |

Additional Information

| | | | |
|----------------------------------------------------------|---------|-----------------|----------|
| Disposal; Electrical and electronic equipment, Packaging | V 1.0.0 | pdf 265.8 kB | Download |
|----------------------------------------------------------|---------|-----------------|----------|

Environmental Product Compliance

Compliance Search

| | | |
|----------------------------------------------------------------------------------------------------------------------------------------|-----|----------|
| Environmental Product Compliance 2042-1008 Switching module; with changeover rocker switch; Switching voltage: 250 VAC; translucent | URL | Download |
|----------------------------------------------------------------------------------------------------------------------------------------|-----|----------|

Installation Notes

Subject to changes. Please also observe the further product documentation!