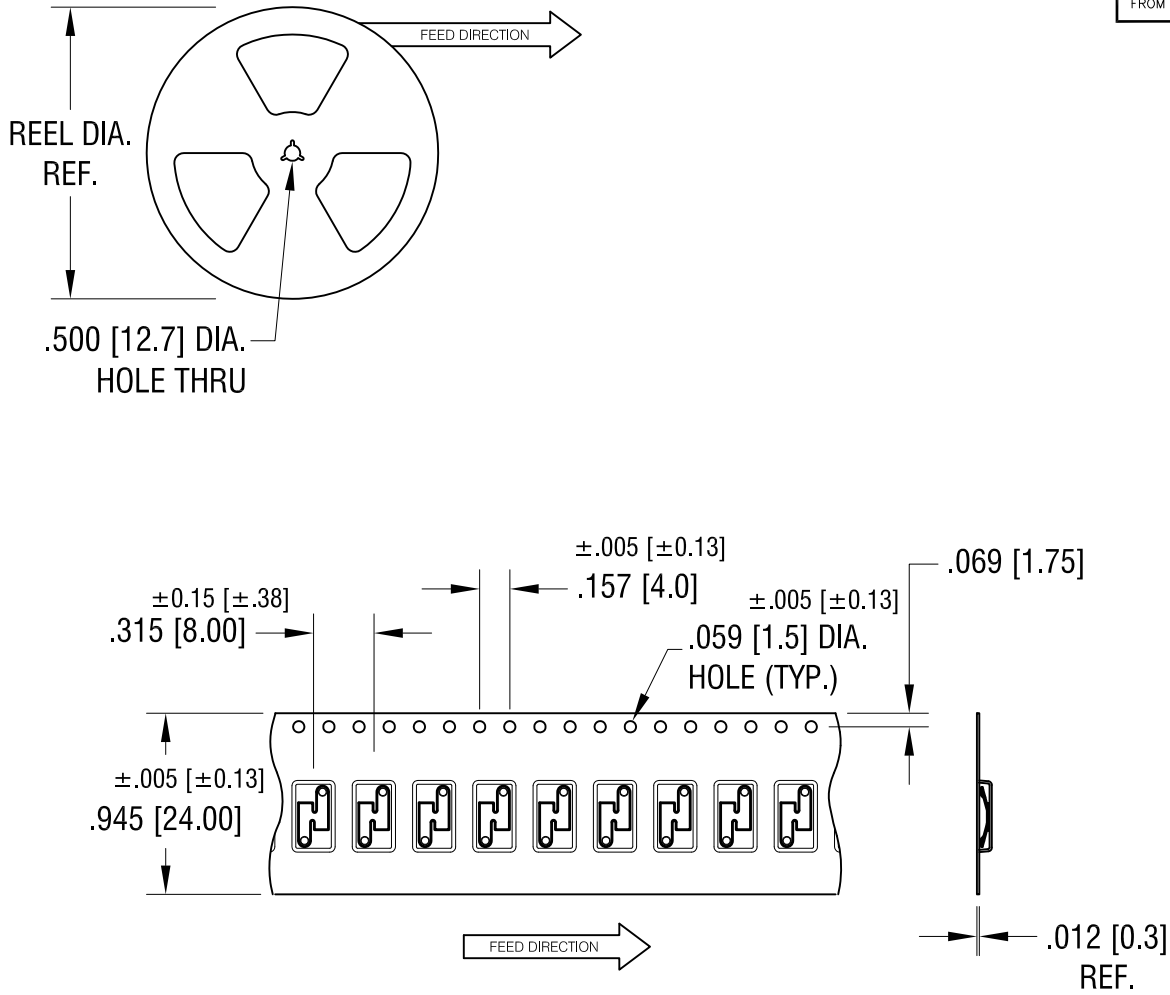


THIS DOCUMENT IS THE PROPERTY OF KEYSTONE ELECTRONICS CORP. AND SHALL NOT BE REPRODUCED, DISTRIBUTED OR USED AS A BASIS FOR MANUFACTURE WITHOUT PRIOR WRITTEN PERMISSION FROM KEYSTONE ELECTRONICS CORP.



NOTE:

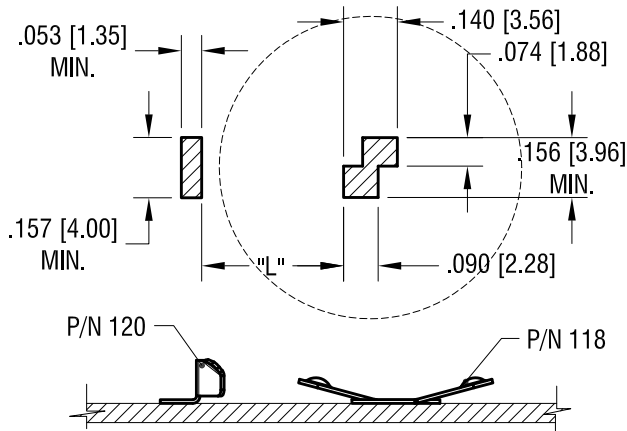
1. TAPE AND REEL SPECIFICATIONS:

TAPE: MAT'L - ALL CONDUCTIVE POLYSTYRENE CARRIER
 ANSI/EIA-481 STANDARD, 24 MM WIDE; 8 MM PITCH
 REEL: 13.0 [1330] DIA. 5000 PIECES PER REEL.

KEYSTONE ELECTRONICS CORP.			
www.keyelco.com • ASTORIA, N.Y. 11105-2017 • Tel (718) 956-8900			
PART NAME			
CONTACT ON TAPE AND REEL			
MATERIAL			
AS NOTED			
FINISH		DRN BY	DATE
AS NOTED		NT	6.23.15
		APP'D	SCALE
		LN	N/A
TOLERANCES	INCH [MM]	CODE	DWG NO.
DECIMAL	± .010 [± 0.25]	C	118TR
ANGULAR	± 1°		
UNLESS OTHERWISE SPECIFIED			

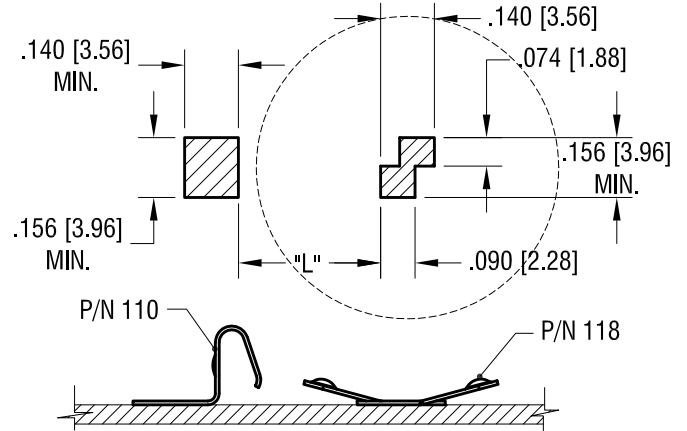
DATE	DESCRIPTION	REV.	
------	-------------	------	--

THIS DOCUMENT IS THE PROPERTY OF KEYSTONE ELECTRONICS CORP. AND SHALL NOT BE REPRODUCED, DISTRIBUTED OR USED AS A BASIS FOR MANUFACTURE WITHOUT PRIOR WRITTEN PERMISSION FROM KEYSTONE ELECTRONICS CORP.



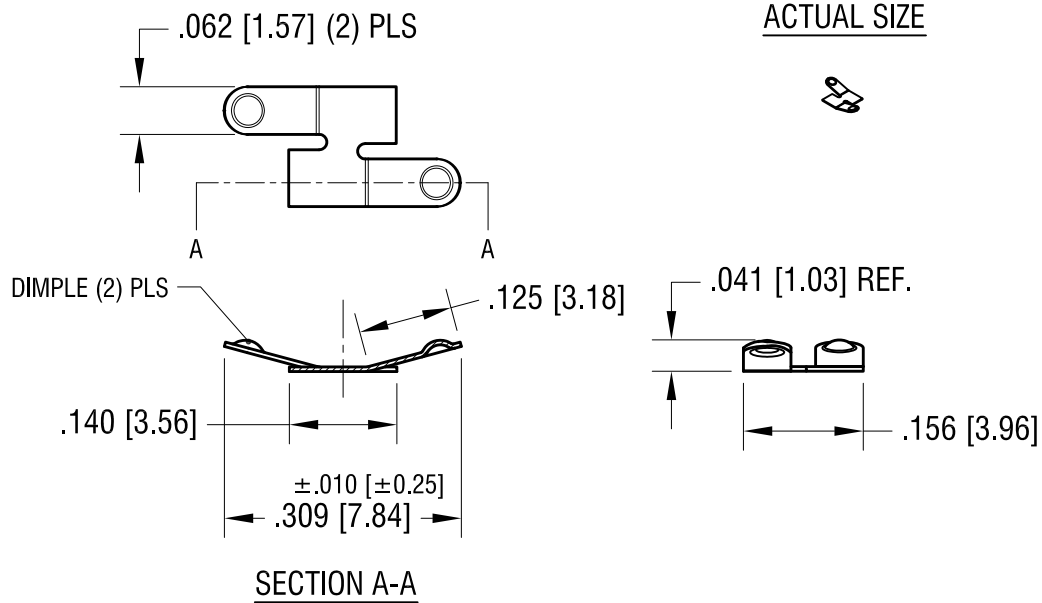
MTG LAY OUT WHEN USE WITH P/N 120

BATTERY DIA.	L
12mm	.178 [4.5]
16mm	.257 [6.5]



MTG LAY OUT WHEN USE WITH P/N 110

BATTERY DIA.	L
12mm	.213 [5.4]
16mm	.291 [7.4]



DATE	DESCRIPTION	REV.
9.21.15	CHANGE AS PER ECN 15-105	A

KEYSTONE ELECTRONICS CORP.
 www.keyelco.com • ASTORIA, N.Y. 11105-2017 • Tel (718) 956-8900

PART NAME: **NEGATIVE BATTERY CONTACT**

MATERIAL: **.006 [0.15] TH'K STAINLESS STEEL**

FINISH: **GOLD PLATE**

DRN BY: **NT** DATE: **6.23.15**

APP'D: **LN** SCALE: **4X**

TOLERANCES INCH [MM]
 DECIMAL $\pm .005$ [± 0.13]
 ANGULAR $\pm 1^\circ$
 UNLESS OTHERWISE SPECIFIED

CODE: **C** DWG NO. **118**