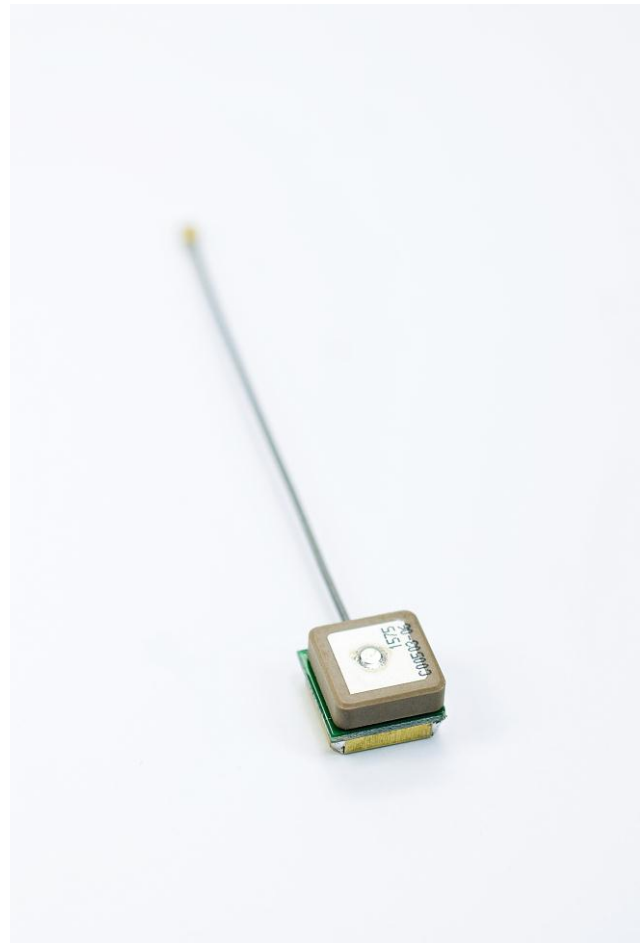


# 2JM010 (DATASHEET)

<b>Type</b>	GNSS module
<b>Frequencies</b>	GPS (1575.42 MHz)
<b>Mounting</b>	Any Surface
<b>Part No.</b>	<b>2JM010</b>
<b>Revision</b>	00



P. Tipul



D. Noble

## 1. SPECIFICATION

### 1.1. Electrical Specifications

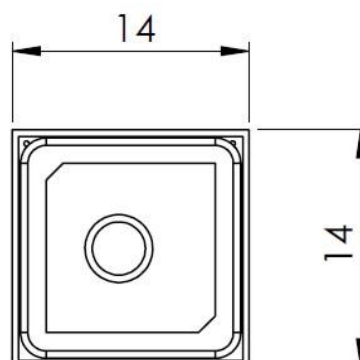
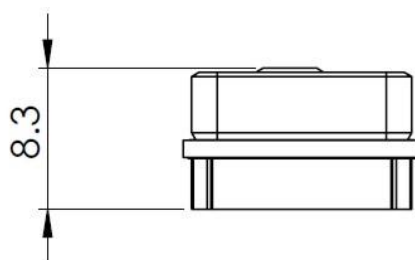
Frequencies	GPS (1575.42 MHz)
Impedance	50 Ohms
Noise figure	1.3dB
Polarization	RHCP
LNA Gain	18dB
Voltage supply	2,7V - 3,3V
Current	4,5mA (typ)
Power (max.)	15mW
Operating temperature	-40°C to +85°C

### 1.2. Connection Specifications

Connector type:	U.FL
Cable:	Microcoax 1,13mm
Cable length:	10cm

### 1.3. Mechanical Specifications and Dimensions

Material:	FR4
Dimensions:	14mm x 8.3mm x 14mm (L x T x W)
Weight:	5 g 'weight with connection above'



## 2. MEASUREMENT

### 2.1. Set for Measurements

Connection:	Used default cable length and connection.
Temperature:	25 °C
Input power:	0 dBm
Voltage supply:	3V

DAMS positioner with AUT and reference antenna are placed in anechoic chamber

### 2.2. Electrical Characteristics

