

**Battery Disconnecter 200A** Page 1 of 1

For this drawing we reserve the copyright in accordance with DIN ISO 16016

Circuit

Technical Data:	
Case Material	PA GF black
Switch Lever Material	PA GF red
Min. Insulation Resistance	100MΩ
Dielectric Withstanding Voltage	1050V-1min.
Max. Contact Drop during Resistive Load	150mV
Voltage	up to 48VDC
Duty Rating	200A
Overload	500A-180sec. 1000A-30sec.
Sealing	IP 67 / IEC 529
Vibration	4G / 50-2000Hz
Shock G-Level	6G / 11ms
Weight	~180g / 0.39 Pound
Temperature Range	-40°C to +85°C
Wire Section (at nominal Load)	min. 70mm <sup>2</sup>
Switch Lever	not removeable
Max. Torque (Main Contacts)	15-20Nm

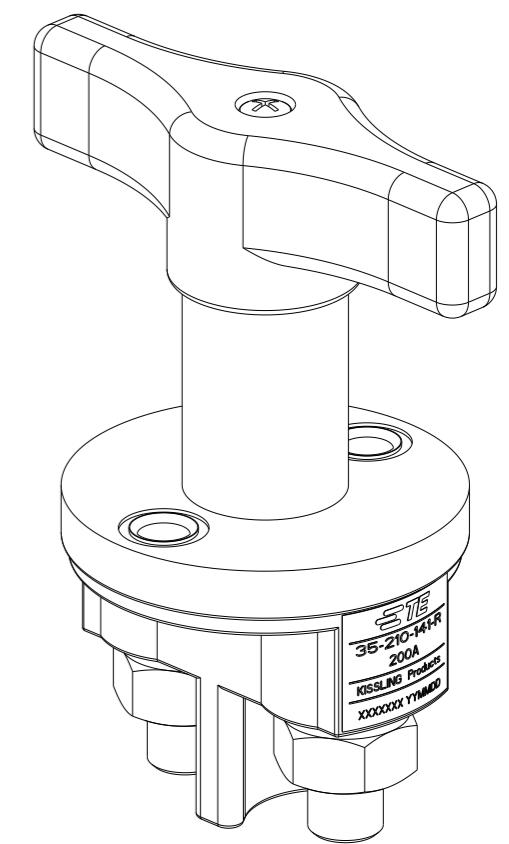
Date	Name	mm	Scale	Drawing No:
Create 29.11.2007	Hamar	↔	1:1	35-210-141-R
Edited 11.06.2019	Seeger			
Check 24.06.2019	Grind			
General Tolerances DIN ISO 2768 cL			NSN:	

REVISIONS				
P	LTR	DESCRIPTION	DATE	APVD
	A	TE STANDARD	14MAY2024	KS RB

NOTE  
Bemerkungen:

1 TE-CONNECTIVITY ORDER-NUMBER  
TE-connectivity Bestellnummer

2 DO NOT SWITCH UNDER LOAD!  
Nicht unter Last schalten!



K1131877	1	A	BATTERY DISCONNECTOR 200A Batterietrennschalter 200A	1
TE ORDER-NO.	REV.		DESCRIPTION	ITEM NO

THIS DRAWING IS A CONTROLLED DOCUMENT.

DIMENSIONS: mm 	TOLERANCES UNLESS OTHERWISE SPECIFIED: DIN ISO 2768 cL 0 PLC ± 1 PLC ± 2 PLC ± 3 PLC ± 4 PLC ± ANGLES ± FINISH ±	DWN E.Hamarat 29NOV2007 CHK K.Seeger 11JUN2019 APVD U.Grindemann 24 JUN2019 PRODUCT SPEC APPLICATION SPEC WEIGHT CUSTOMER DRAWING	
TE Connectivity		NAME <b>BATTERY DISCONNECTOR 200A</b> Batterietrennschalter 200A	
SIZE	CAGE CODE	DRAWING NO	RESTRICTED TO
A3	00779	35-210-141-R	-
SCALE 1:1		SHEET 1 OF 1	REV A